

Genie Industries



Genie Instruction Sheet

Ratchet Pawl Installation

**Genie Kit
Part Number 40458**

First Edition, First Printing
Part No. 43017



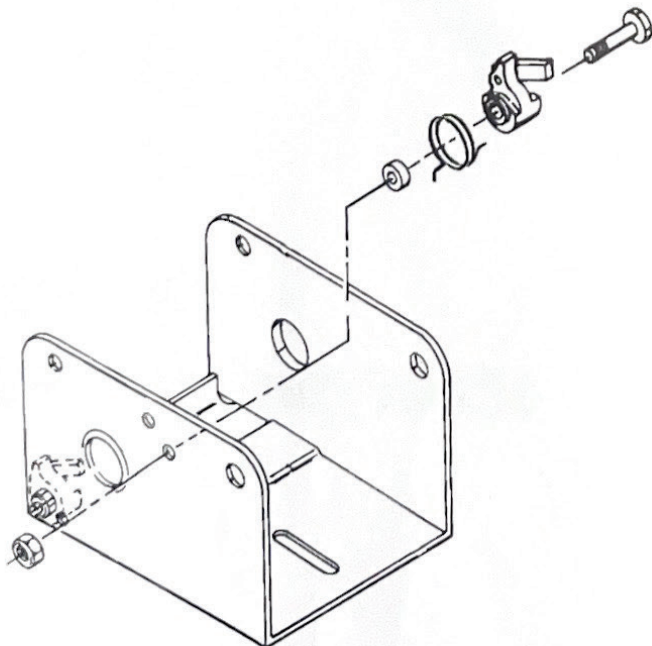
Ratchet Pawl Installation Instructions



WARNING Failure to obey the following instructions may result in death or serious injury.

WARNING This ratchet pawl kit is only to be installed on winches with an identical two piece ratchet pawl. Use the following list to indentify the machines that this kit is intended to be installed on.

Machines	After serial number
Superlift Advantage - SL-5, 10, 15, 20 and 25 models	5594-00100
Superlift Contractor - SLC-6, 12, 18 and 24 models	9595-00100
Supertower - ST-20 and 25 models	7794-00100



- 1 Fully lower the carriage.
- 2 Unwind approximately 1 foot (0.30 meter) of cable to remove tension from the winch.
- 3 Loosen the frame spacer mounting bolt. Do not remove it.
- 4 Remove the winch drum mounting bolt, then remove the winch drum and drum cover from the winch.
- 5 Remove the ratchet pawl assemblies from the winch. Note how and where the pawls contact the ratchet gear. Note how and where the springs are attached.
- 6 Install the ratchet pawl onto the mounting bolt, then install the spring and bushing. Use the illustration to help identify the proper location of the components.
- 7 Use your fingers to push the ratchet pawl outwards while installing the assembly to the winch frame.
- 8 Insert the spring into the winch frame. Rotate the spring to create tension before inserting into the winch frame. Be sure the spring is properly connected to the groove on the ratchet pawl.
- 9 Repeat procedure for the second ratchet pawl assembly.
- 10 Install the winch drum and winch drum cover.
- 11 Test the winch, to be sure it is functioning properly. Refer to the appropriate operator's manual for your machine.